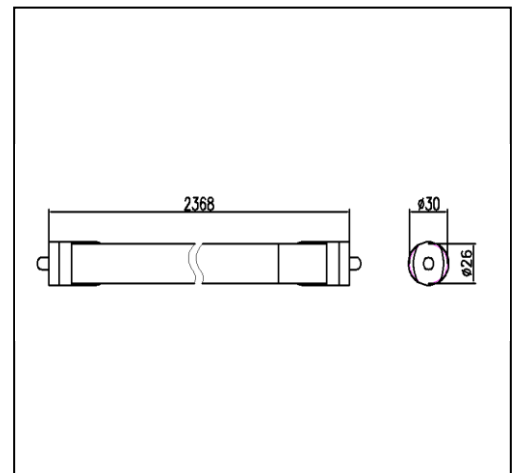


LA(I)-(T8-30W) 8 Foot LED Tube Technical Parameters

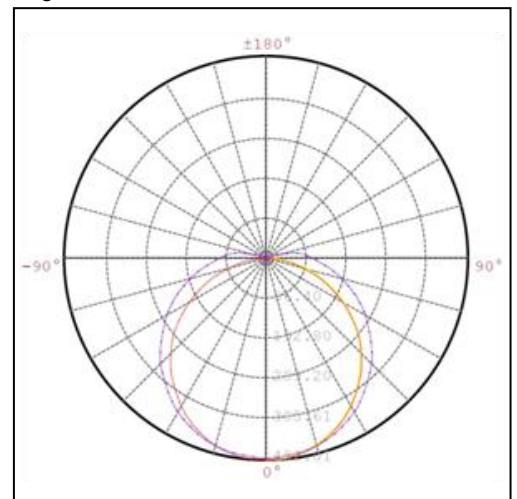
| Item | | Parameters |
|--------------------------------|---------------|---|
| Input Voltage | | AC 100V ~ 277V |
| Frequency Range | | 50Hz ~ 60Hz |
| Total Harmonic Distortion | | ≤9 % |
| Power Factor | | 0.88 |
| Power Efficiency | | 85% |
| LED Specification | | SMD |
| Rated Power | | 30W |
| LED Initial Flux | Warm White | 2900 Lm |
| | Natural White | 2800 Lm |
| | Cool White | 2800 Lm |
| Lamp's Efficiency | | > 90 % |
| Color Temperature | Warm White | 3000±100K |
| | Natural White | 4000±200K |
| | Cool White | 6000±300K |
| CRI | | 80 |
| Beam Angle | | 120° |
| Lighting Distribution | | PC cover |
| Junction Temperature (Ta=25°) | | ≤80°C |
| Working Temperature | | -20°C ~ +50°C |
| Storage Temperature | | -25°C ~ 65°C |
| IP Grade | | IP50 |
| Working Life-span | | 40000H |
| Interface type (Optional) | | □Fa8 □G13 |
| Product dimension | | 30 (26) ×2373mm |
| Dimming function | | Three stage dimming: the first stage:100% full brightness the second stage:30% brightness the third stage:10% brightness |
| The color of the lamp shell | | Lamp body-silver, PC cover-white |
| Certificate | | CE UL |



Dimension



Light Distribution Curve



LIGHTING AUTOMATION

Lighting Retrofit • Lighting Automation • Energy Management • Security Solutions