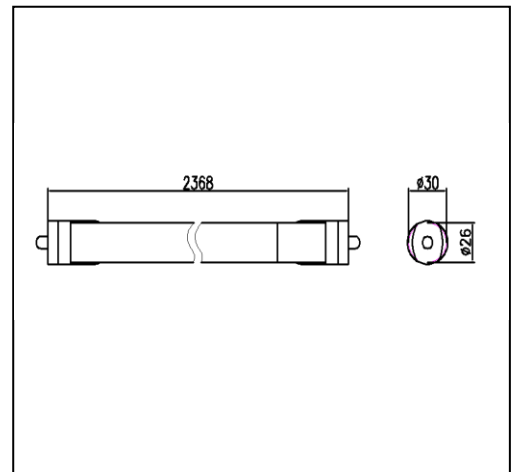


LA(I)-(T8-36W) 8 Foot LED Tube Technical Parameters

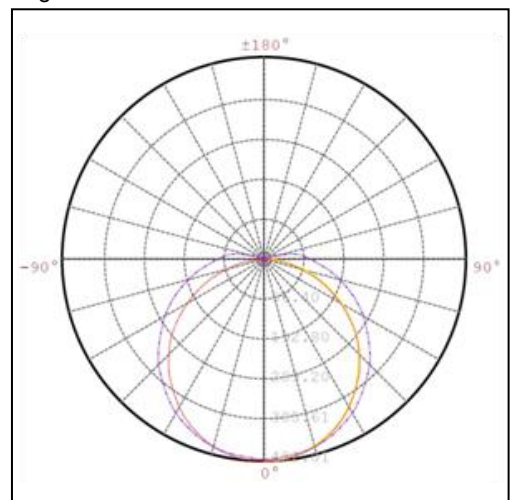
Item	Parameters	
Input Voltage	AC 100V ~ 277V	
Frequency Range	50Hz ~ 60Hz	
Total Harmonic Distortion	≤9 %	
Power Factor	0.88	
Power Efficiency	85%	
LED Specification	SMD	
Rated Power	36W	
LED Initial Flux	Warm White	3300 Lm
	Natural White	3200 Lm
	Cool White	3400 Lm
Lamp's Efficiency	> 90 %	
Color Temperature	Warm White	3000±100K
	Natural White	4000±200K
	Cool White	6000±300K
CRI	80	
Beam Angle	120°	
Lighting Distribution	PC cover	
Junction Temperature (Ta=25°Q)	≤80°C	
Working Temperature	-20°C ~ +50°C	
Storage Temperature	-25°C ~ 65°C	
IP Grade	IP50	
Working Life-span	40000H	
Interface type (Optional)	□Fa8 □G13	
Product dimension	30 (26) ×2373mm	
Dimming function	Three stage dimming: the first stage:100% full brightness the second stage:30% brightness the third stage:10% brightness	
The color of the lamp shell	Lamp body-silver, PC cover-white	
Certificate	CE UL	



Dimension



Light Distribution Curve



LIGHTING AUTOMATION

Lighting Retrofit • Lighting Automation • Energy Management • Security Solutions